

**Bendi**

**B30AC**  
**B40AC**



**LANDOLL CORPORATION**

MATERIAL HANDLING PRODUCTS

[www.landoll.com/mhp](http://www.landoll.com/mhp)

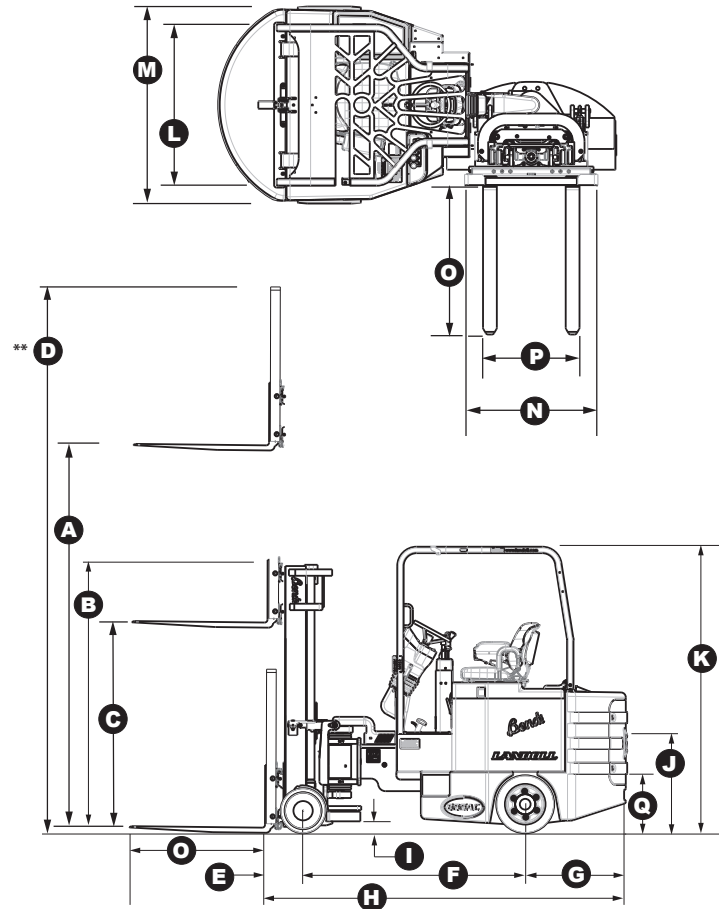


# Model B30AC & B40AC

The Landoll Bendi B30AC and B40AC are 4-wheel, articulating, AC powered, narrow aisle forklifts maximizing cube utilization while providing front loader versatility. Maximum space utilization, increased productivity, operator comfort and safety are the primary benefits.

## STANDARD FEATURES

- 3,000 lb. (1,361kg) and 4,000 lb. (1,814kg) Capacity at 24" (600mm) Load Center
- Lift Heights to 374" ( 9.5 M)
- 78" (1.98M) Stacking Aisle with 48" (1,200mm) Long Load
- High Visibility 3-Stage or 4-Stage Mast
- Integral 11.2" (285mm) Stroke Side Shifter and 36" (914mm) High Load Backrest
- Dual Inside / Outside Capability
- Articulated 42" (1,067mm) Wide Floating Front Axle
- Large Diameter Smooth Rubber Drive Tires
- Polyurethane Smooth Load Tires
- 180° Front-End DuraSteer™ Articulation / Steering Assembly with 5-Year Warranty
- Heavy Duty Dual Rear Wheel Planetary Drives
- AC Traction and Hydraulic Controllers
- Powerful AC Drive and Hydraulic Motors
- Comfortable Seated Operation with All Truck Controls in Easy Reach
- Full Diagnostic Intelligent Display with Battery Discharge Indicator and Hour Meter
- Adjustable Cloth Suspension Seat
- Armrest, Adjustable Steering Column, Key Switch, Horn, Seat Belt
- Hydraulic Power Steering
- 4-Post Heavy-Duty Adjustable Overhead Guard
- Safety Deadman Seat Switch
- Heavy Duty Unitized Robotic Welded Chassis Design
- Provisions for RF Terminals Provided
- Accepts Class II Attachments
- Easily Accessible Components for Low Cost Maintenance



## OPTIONAL FEATURES

- Non-Standard Fork Lengths
- LED Headlights, Flashing Light and Rear Safety Lights
- Integral Side Shifting Fork Positioner
- Auxiliary Hydraulics
- Non-Marking Tires
- UL-583, Type EE Electrical Rating, FM Approved
- Vinyl Seat
- Slide-Out Sideways Battery Tray
- Fire Extinguisher
- Lazer Fork Height Indicator
- Carriage Mounted Camera with Operator Compartment Monitor
- Cold Storage Option for Freezer Operation to -22°F (-30°C)

## AISLE DIMENSIONS

LOAD DEPTH X WIDTH	MINIMUM CLEAR AISLE
40" x 48" (1,000 x 1,200mm)	70" (1,778mm)
48" x 40" (1,200 x 1,000mm)	78" (1,981mm)
Minimum Clear Transfer Aisle	108" (2,743mm)



# 4-Wheel Narrow Aisle Electric Mult-Purpose Articulating Forklift Truck



MODEL	TECHNICAL DATA CHART		B30AC	B40AC
Capacity	at 24" (600mm) Load Center		lbs/kg	3,000 / 1,361
Weight	with Battery		lbs/kg	12,800 / 5,818
Travel Speed	Loaded		mph/kph	6.5 / 10.5
	Unloaded		mph/kph	7 / 11.3
Lift Speed	Loaded		fpm/mpm	90 / 27.4
	Unloaded		fpm/mpm	110 / 33.5
Lowering Speed	Loaded		fpm/mpm	100 / 30.4
	Unloaded		fpm/mpm	90 / 27.4
Mast Tilt	Fwd / Back - Up to 293" (7.44M)		deg	3 / 3
	Fwd / Back - 294" (7.46M) and Higher		deg	1 / 2
Lost Load Center	E		in/cm	12 / 30.5
Wheelbase	F		in/cm	63 / 160
Rear Overhang	G		in/cm	25 / 64
Overall Length Fork to Face	H	Mast Vertical	in/cm	100 / 254
Underclearance	I	Under Mast	in/cm	3 / 7.6
Operator Floor Height	J		in/cm	31 / 79
Overhead Guard Height	K		in/cm	87 / 221
Overhead Guard Width	L		in/cm	40 / 102
Overall Width	M		in/cm	43 / 109
Fork Carriage Width	N		in/cm	41 / 104
Fork Length	O		in/cm	40 / 102
Out to Out Fork Spread	P	Minimum / Maximum	in/cm	9.4-39.5 / 24-100
Battery Compartment Height	Q	Floor to Top of Battery Tray	in/cm	19 / 48
Right Angle Stacking Aisle		with 48"L x 40"W (1,200mm x 1,000mm) Load	in/cm	78 / 198
Intersecting Aisle		with 48"L x 40"W (1,200mm x 1,000mm) Load	in/cm	108 / 274
Gradeability		Loaded / Unloaded	%	15
Hydraulic Motor Rating		Continuous Duty Rating	type/kWh	12
Traction Motor Rating		Continuous Duty Rating	type/kWh	5.1 Ea / 10.2 Total
Traction Control Type		Induction		AC
Hydraulic Control Type		Induction		AC
Wheel Sizes		Front (2 Each) Smooth Poly-Dia x Face	in/cm	14x5 / 35.6x12.7
		Rear (2 Each) Smooth Rubber-Dia x Face	in/cm	18x7 / 45.7x17.8

## MAST DIMENSIONS

LIFT HEIGHT (A)		LOWERED HEIGHT (B)		FREE LIFT (C)		OVERALL HEIGHT (D)	
Inches	Meters	Inches	Meters	Inches	Meters	Inches	Meters
Triple (3-Stage) Mast B30AC							
188	4.78	83	2.11	47	1.19	224	5.69
198	5.03	87	2.21	51	1.30	234	5.94
216	5.49	95	2.41	59	1.50	252	6.40
223	5.66	98	2.49	62	1.57	259	6.58
242	6.15	107	2.72	71	1.80	278	7.06
258	6.55	115	2.92	79	2.01	294	7.47
272	6.91	121	3.07	85	2.16	308	7.82
Quad (4-Stage) Mast B30AC and B40AC							
250	6.35	87	2.21	51	1.30	286	7.26
258	6.55	89	2.26	53	1.35	294	7.47
276	7.01	95	2.41	59	1.50	312	7.92
294*	7.47	101	2.57	65	1.65	330	8.38
312*	7.92	107	2.72	71	1.80	348	8.84
Quad (4-Stage) Mast B40AC							
336*	8.53	117	2.97	81	2.06	372	9.45
360*	9.14	126	3.20	90	2.29	396	10.06
374*	9.50	130	3.30	94	2.39	410	10.41

\* Tilt Restricted to 1° Forward and 2° Backward

LIFT HEIGHT (A)		LOWERED HEIGHT (B)		FREE LIFT (C)		OVERALL HEIGHT (D)	
Inches	Meters	Inches	Meters	Inches	Meters	Inches	Meters
Triple (3-Stage) Mast B40AC							
188	4.78	83	2.11	47	1.19	224	5.69
198	5.03	87	2.21	51	1.30	234	5.94
216	5.49	95	2.41	59	1.50	252	6.40
223	5.66	98	2.49	62	1.57	259	6.58
242	6.15	107	2.72	71	1.80	278	7.06
258	6.55	115	2.92	79	2.01	294	7.47
272	6.91	121	3.07	85	2.16	308	7.82
296*	7.52	129	3.28	93	2.36	332	8.43
312*	7.92	132	3.35	96	2.44	348	8.84
323*	8.20	138	3.51	102	2.59	359	9.12
360*	9.14	156	3.96	120	3.05	396	10.06
374*	9.50	167	4.24	131	3.33	410	10.40
Free Lift Based on 36" (914mm) High Load Backrest							
Overall Height Based on 36" (914mm) High Load Backrest							

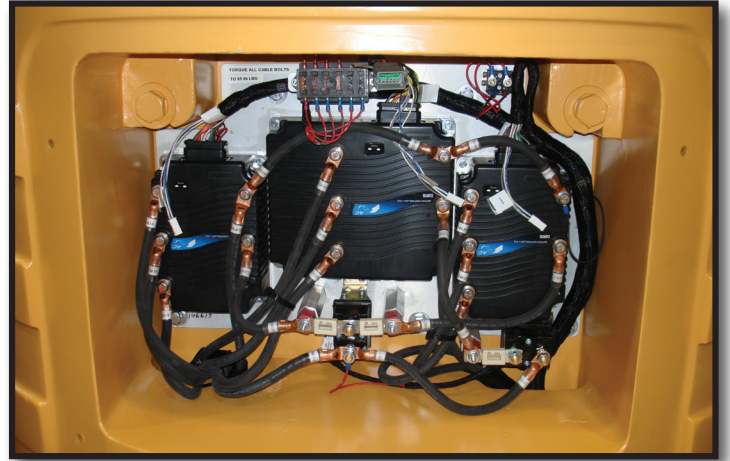
## RECOMMENDED BATTERIES

<b>BATTERY FOR B30AC - MINIMUM BATTERY WEIGHT IS 2,550 LBS. (1,159kg) - MAXIMUM WEIGHT IS 3,100 LBS. (1,409kg)</b>
Battery Designation: 24-85-17, 48 Volt, 680 AHC, Nominal Size 27" x 38.5" x 22.625" (69 x 98 x 58cm)
Standard Truck Battery Compartment Size: 27.5" x 38.75" x 23" (70 x 98 x 58cm)
Leads are at Position C, 20" (51cm) Long, with SB 350 Amp Blue Connector
<b>BATTERY FOR B40AC - MINIMUM BATTERY WEIGHT IS 2,600 LBS. (1,181kg) - MAXIMUM WEIGHT IS 3,100 LBS. (1,409kg)</b>
Battery Designation: 24-85-19, 48 Volt, 765 AHC, Nominal Size 25.9375" x 44.5625" x 22.625" (66 x 113 x 58cm)
Standard Truck Compartment Size: 26" x 44.75" x 23" (66 x 114 x 58cm)
Leads are at Position A, 12" (30.5cm) Long, with SB 350 Amp Blue Connector

# **LANDOLL, Quality Narrow Aisle Lift Trucks for Space Optimization**



**Dash Display with Full Diagnostics  
Battery Discharge Indicator and Hour Meter**



**Rear Controller Compartment  
and Counterweight**



**DuraSteer™ Front Wheel Steering  
\*Patented**



**Loading / Unloading**

**[www.landoll.com/mhp](http://www.landoll.com/mhp)**

| 1900 North Street | Marysville, KS 66508 | (800) 428-5655

