



Bendi®

BENDI HL RANGE ***B40AC-HL & B50AC-HL*** 4-WHEEL HIGH LIFT BENDI ELECTRIC MULTI-PURPOSE VNA ARTICULATED FORKLIFT TRUCK

STANDARD FEATURES

- 4,400 lb. (2,000kg) and 5,000 lb. (2,250kg) Capacity at 24" (600mm) Load Center
- Lift Heights to 492" (12.5M)
- Four-Wheel Design, Dual Rear Wheel Drive
- High Visibility 3-Stage Mast
- Integral 11.2" (285mm) Stroke Side Shifter and 36" (914mm) High Load Backrest
- Adjustable Seat and Steering Wheel
- Dual Curtis AC Traction Motor Controllers
- Curtis AC Hydraulic Motor Controller
- Battery Discharge Indicator with Lift Interrupt
- Electronic Regenerative and Hydraulic Disc Braking
- "Floating" Articulated Front Axle
- 180° Front-End DuraSteer™ Articulation / Steering Assembly with 5-Year Warranty
- Safety Seat Switch, Seat Belt and Rear View Mirror
- Curtis Engage Dash Display
- Hand Actuated Parking Brake
- Non Tilting Rigid Mounted Mast
- Carriage Tilt 0° Forward / 3° Backward
- Smooth Rubber Drive Tires
- Soft Polyurethane Load Wheel Tires
- 40" (1,000mm) Tapered Tip Forks - Rear Tow Hitch Pin
- Three Section Hydraulic Control Valve
- Meets ANSI B56.1

OPTIONAL FEATURES

- Non-Standard Fork Lengths
- Dual Overhead Guard-Mounted LED Headlights
- Dual Rear Safety LED Light Bars
- Safety Flashing LED Light
- Backup Alarm - Beeping Tone ("Smart" dB Adjusting)
- Blue Pedestrian Warning Spotlights
- Fire Extinguisher - OHG Post Mounted
- Roller / Slide-Out Battery Tray
- Lazer Fork Height Indicator
- Hydraulic Integral Fork Positioner
- Hydraulic Fork Extensions
- Camera with Monitor in Operator's Compartment
- Cold Storage Conditioned to -22°F (-30°C)



LANDOLL CORPORATION

MATERIAL HANDLING PRODUCTS

www.landoll.com/mhp

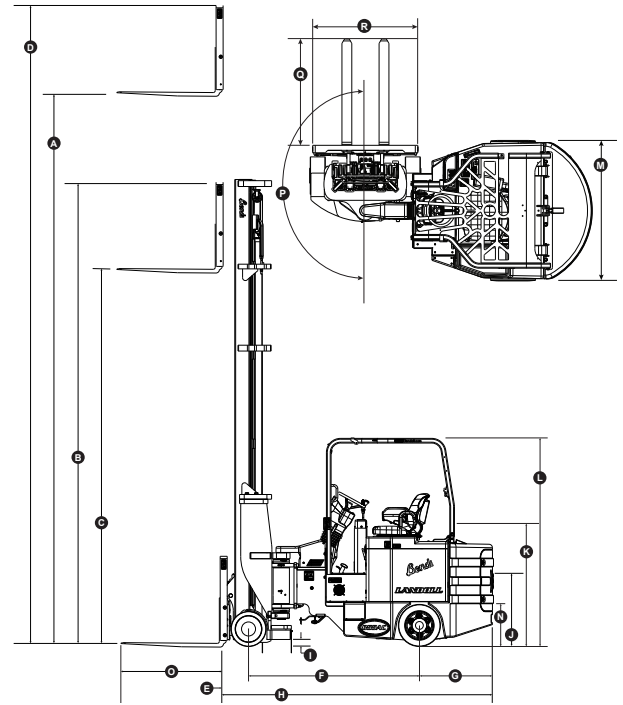


BENDI HL RANGE B40AC-HL & B50AC-HL

Electric Multi-Purpose VNA | Articulated Forklift Truck

TECHNICAL DATA

MODEL			B40AC-HL	B50AC-HL
Capacity		lbs/kg	4,400 / 2,000	5,000 / 2,250
Load Center		in/mm	24 / 600	24 / 600
Power Source			Battery, Electric	Battery, Electric
Weight with Battery		lbs/kg	14,270 / 6,486	17,350 / 7,886
Travel Speed	Loaded	mph/kph	6.5 / 10.5	6.5 / 10.5
	Unloaded	mph/kph	7 / 11.3	7 / 11.3
Lift Speed	Loaded	fpm/mpm	90 / 27.4	90 / 27.4
	Unloaded	fpm/mpm	110 / 33.4	110 / 33.4
Lowering Speed	Loaded	fpm/mpm	100 / 30.5	100 / 30.5
	Unloaded	fpm/mpm	90 / 27.4	90 / 27.4
Mast Tilt	Fwd / Back	deg	0 / 3	0 / 3
Lost Load Center	E	in/mm	12 / 305	12.5 / 318
Wheelbase	F	in/mm	73.4 / 1,864	73 / 1,854
Rear Overhang	G	in/mm	28.6 / 726	31.5 / 800
Overall Length to Face of Forks	H	in/mm	114 / 2,896	117 / 2,972
Underclearance	I	in/mm	3 / 76	3 / 76
Cab Floor Height	J	in/mm	31.3 / 795	31.3 / 795
Seat Height	K	in/mm	52 / 1,321	52 / 1,321
Overhead Guard Height	L	in/mm	89 / 2,261	89 / 2,261
Chassis Width	M	in/mm	50 / 1,270	54 / 1,372
Battery Compartment Height	N	in/mm	19.24 / 489	19.24 / 489
Fork Length	O	in/mm	40 / 1,016	40 / 1,016
Front Articulation	P	deg	180	180
Front Axle Width		in/mm	42 / 1,067	44 / 1,118
Gradeability	Unloaded	%	15	15
	Loaded	%	15	15
Hydraulic Motor Rating	Continuous Duty	kW	12	12
Drive Motor Rating	Continuous Duty	kW	2 x 5.6 11.2 Total	2 x 7.5 15 Total
Wheel Sizes	Front (1 each)	in/mm	14x5 / 356x127	15x6 / 381x152
	Rear (2 each)	in/mm	18x7 / 457x178	18x9 / 457x229
Traction Control Type	Curtis		AC	AC
Hydraulic Control Type	Curtis		AC	AC



AISLE DIMENSIONS

B40AC-HL	
LOAD DEPTH X WIDTH (Q x R)	MINIMUM CLEAR AISLE
40" x 48" (1,000 x 1,200mm)	70" (1,778mm)
48" x 40" (1,200 x 1,000mm)	78" (1,981mm)
Minimum Clear Transfer Aisle	111" (2,820mm)
B50AC-HL	
LOAD DEPTH X WIDTH (Q x R)	MINIMUM CLEAR AISLE
40" x 48" (1,000 x 1,200mm)	76" (1,930mm)
48" x 40" (1,200 x 1,000mm)	84" (2,134mm)
Minimum Clear Transfer Aisle	114" (2,896mm)

RECOMMENDED BATTERY

BATTERY FOR B40AC-HL	
Battery Designation: 24-85-21, 48 Volt, 850 AHC (6 Hour Rate)	
Nominal size: 32.75" x 38.125" x 22.63" (83 x 97 x 58cm)	
Truck compartment size: 33.25" x 38.875" x 23" (84 x 99 x 59cm)	
Battery Weight: Min 3,250 lbs. (1,477kg) - Max 3,400 lbs. (1,545kg)	
Leads are at Position A, 12" Long, with SB 350 Amp Blue Connector	
BATTERY FOR B50AC-HL	
Battery Designation: 24-85-23, 48 Volt, 935 AHC (6 Hour Rate)	
Nominal Size to 32.25" x 44.75" x 22.63" (82 x 114 x 58cm)	
Truck Compartment size to 32.5" x 44.875" x 23" (83 x 114 x 59cm)	
Battery Weight: Min. 3,500 lbs. (1,590kg) - Max. 4,000 lbs. (1,818kg)	
Leads are at Position A, 12" Long, with SB 350 Amp Blue Connector	

The specifications contained in this spec sheet are subject to change at any time without notice. Actual dimensions and performance data given herein may vary due to manufacturing tolerances.

MAST DIMENSIONS

LIFT HEIGHT (A)		LOWERED HEIGHT (B)		FREE LIFT (C)		OVERALL HEIGHT (D)	
Inches	Meters	Inches	Meters	Inches	Meters	Inches	Meters
312	7.92	140	3.56	104	2.64	348	8.83
327	8.31	145	3.68	109	2.77	363	9.22
360	9.14	156	3.96	120	3.05	396	10.05
375	9.53	161	4.09	125	3.18	411	10.44
417	10.59	175	4.45	139	3.53	453	11.50
435	11.05	181	4.60	145	3.68	471	11.96
471	11.96	193	4.90	157	3.99	507	12.87
492	12.50	200	5.08	164	4.17	528	13.41

www.landoll.com/mhp | 1900 North Street | Marysville, KS 66508 | (800) 428-5655

